

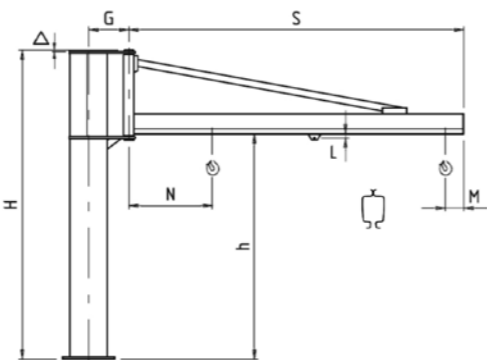
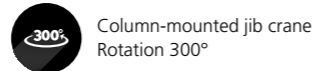
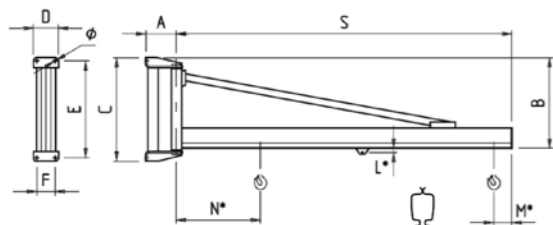
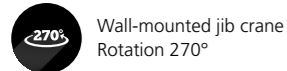


LIFTSTYLE s.r.l.
Via Enrico Fermi, 26
37026 Settimo di Pescantina
VERONA - Italia
P.iva 03482320235
tel. 0039 045 6450860
fax 0039 045 6450297
www.manzelli.net
e-mail: info@manzelli.it



UpCrane
MOVING UPWARDS

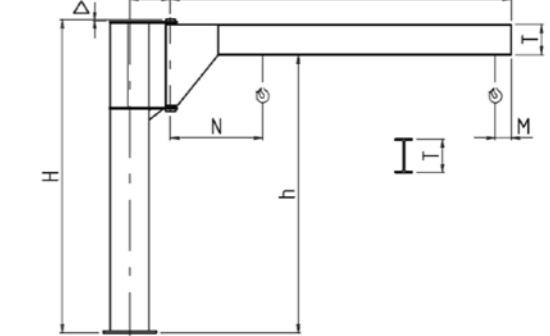
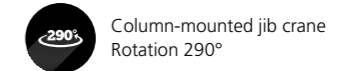
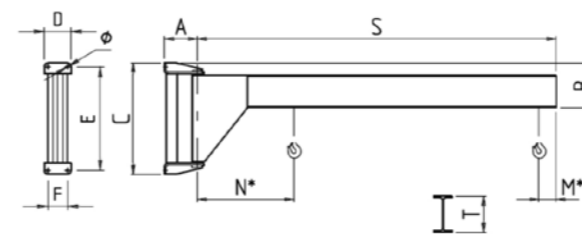
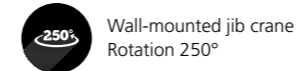
GBP/GBA SERIES JIB CRANES – S VERSION – CHANNEL PROFILE VERSION



Heights L*, M* and N* for wall-mounted jib cranes. See corresponding heights relative to column-mounted jib cranes.

LIFTING CAPACITY (kg)	ARM S		SIZE OF JIB CRANE			GBP SERIES WALL-MOUNTED JIB CRANES - C VERSION								GBA SERIES COLUMN-MOUNTED CRANE - VERSION C													
	ARM (m)	ARM CW COVER (mm)	BRACKET	COLUMN	COUNTERPLATE	TROLLEY TYPE	TYPE	OVERALL DIMENSIONS (mm)						WEIGHT JIB CRANE kg	HEIGHT H m		TYPE	OVERALL DIMENSIONS (mm)					WEIGHT				
								A	B	C	D	E	F		Ø	BASE		MAX.	UNDER BEAM h	G	L	M	N	Δ	JIB CRANE kg	COLUMN BY m kg	
63	4	3999	A	R	R	1	S01A41	170	552	644	200	594	150	17	60.2	3	5	S30R41	2498	228	38	100	522	12	102.3	18.2	
	5	4999	A	R	R	1	S01A51	170	552	644	200	594	150	17	68.1	3	5	S30R51	2498	228	38	100	582	12	110.2	18.2	
	6	5997	C	T	T	2	S02C61	210	820	930	250	870	190	22	171.3	3.5	5.5	S30T61	2740	323	35	115	730	12	266.1	35	
	7	6997	C	T	T	2	S02C71	210	820	930	250	870	190	22	189.3	3.5	5.5	S30T71	2740	323	35	115	790	12	284.1	35	
	125	2	1999	A	R	R	1	S01A23	170	552	644	200	594	150	17	44.4	3	5	S30R23	2498	228	38	100	452	12	86.5	18.2
		3	2999	A	R	R	1	S01A33	170	552	644	200	594	150	17	52.2	3	5	S30R33	2498	228	38	100	522	12	94.3	18.2
4		3999	B	S	S	1	S01B43	170	552	644	200	594	150	17	60.1	3	5	S30S43	2498	274	38	100	522	12	116	22.8	
5		4999	B	S	S	1	S01B53	170	552	644	200	594	150	17	73.1	3	5	S30S53	2498	274	38	100	582	12	129	22.8	
6		5997	C	T	T	2	S02C63	210	820	930	250	870	190	22	171.3	3.5	5.5	S35T63	2740	323	35	115	730	17	266.1	35	
7		6997	C	T	T	2	S02C73	210	820	930	250	870	190	22	190	3.5	5.5	S35T73	2740	323	35	115	790	17	284.8	35	
250	2	1999	A	R	R	1	S01A24	170	552	644	200	594	150	17	44.7	3	5	S30R24	2498	274	38	100	452	12	86.8	18.2	
	3	2999	B	S	S	1	S01B34	170	552	644	200	594	150	17	52.6	3	5	S30S34	2498	274	38	100	522	12	108.5	22.8	
	4	3997	C	T	T	1	S02C44	210	820	930	250	870	190	22	90.7	3.5	5.5	S35T44	2740	323	38	100	592	17	185.5	35	
	5	4999	C	T	T	2	S02C54	210	820	930	250	870	190	22	152.2	3.5	5.5	S35T54	2740	323	35	115	670	17	247	35	
	6	5997	D	U	U	2	S02D64	210	820	930	250	870	190	22	171.7	3.5	5.5	S35U64	2740	386	35	115	730	17	296.3	43.5	
	7	6997	D	U	U	2	S02D74	210	820	930	250	870	190	22	190	3.5	5.5	S35U74	2740	386	35	115	790	17	314.6	43.5	
500	2	1997	C	T	T	2	S02C25	210	820	930	250	870	190	22	94.5	3.5	5.5	S35T25	2740	323	35	115	540	17	189.3	35	
	3	2997	C	T	T	2	S02C35	210	820	930	250	870	190	22	113.6	3.5	5.5	S35T35	2740	323	35	115	600	17	225.9	35	
	4	3997	D	U	U	2	S02D45	210	820	930	250	870	190	22	132.7	3.5	5.5	S35U45	2740	386	35	115	600	17	257.3	43.5	
	5	4997	D	U	U	2	S02D55	210	820	930	250	870	190	22	153.2	3.5	5.5	S35U55	2740	386	35	115	670	17	277.8	43.5	
	6	5997	E	V	V	2	S03E65	255	1100	1240	300	1160	220	34	240.4	4	6	S40V65	2982	443	35	115	760	20	443.9	64	
	7	6997	E	V	V	2	S03E75	255	1100	1240	300	1160	220	34	269.8	4	6	S40V75	2982	443	35	115	830	20	473.3	64	
800	7	6997	F	Z	Z1	2D	S03F76	255	1100	1240	300	1160	220	34	296.1	4	6	S40Z76	2982	513	53	265	980	20	544.4	75.2	
1000	2	1997	D	U	U	2D	S02D27	210	820	930	250	870	190	22	95.2	3.5	5.5	S35U27	2740	386	53	265	690	17	219.8	43.5	
	3	2997	D	U	U	2D	S02D37	210	820	930	250	870	190	22	114.2	3.5	5.5	S35U37	2740	386	53	265	750	17	238.8	43.5	
	4	3997	E	V	V	2D	S03E47	255	1100	1240	300	1160	220	34	193.5	4	6	S40V47	2982	443	53	265	780	20	397	64	
	5	4997	E	V	V	2D	S03E57	255	1100	1240	300	1160	220	34	246.4	4	6	S40V57	2982	443	53	265	850	20	449.9	64	
	6	5997	F	Z	Z1	2D	S03F67	255	1100	1240	300	1160	220	34	276	4	6	S40Z67	2982	513	53	265	910	20	524.3	75.2	

GBP/GBA SERIES JIB CRANES – T VERSION – CANTILEVER VERSION

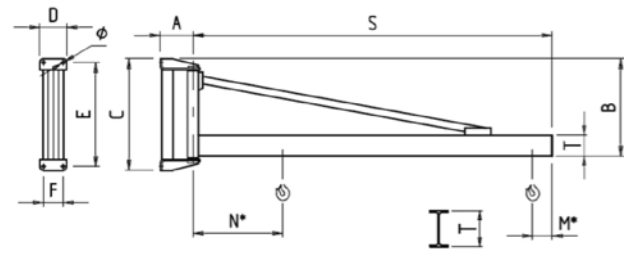


Heights M* and N* for wall-mounted jib cranes. See corresponding heights relative to column-mounted jib cranes.

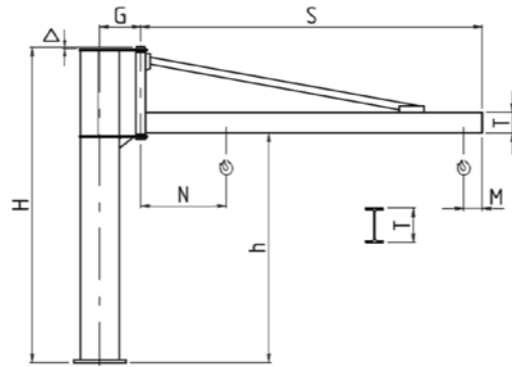
LIFTING CAPACITY (kg)	SIZE OF JIB CRANE		GBP SERIES WALL-MOUNTED JIB CRANES - T VERSION											GBA SERIES COLUMN-MOUNTED CRANE - VERSION T											
	ARM S m	BRACKET	COLUMN	COUNTERPLATE	TYPE	OVERALL DIMENSIONS (mm)							WEIGHT JIB CRANE kg	HEIGHT H m		TYPE	OVERALL DIMENSIONS (mm)					WEIGHT			
						A	B	C	D	E	F	Ø		BASE	MAX.		UNDER BEAM h	G	M	N	T (IPE)	Δ	JIB CRANE kg	COLUMN BY m kg	
63	4	A	R	R	T01A41	170	248	644	200	594	150	15	95	3	5	T30R41	2800	228	190	655	160	12	148	18.2	
	5	A	R	R	T01A51	170	248	644	200	594	150	15	111	3	5	T30R51	2800	228	190	715	160	12	164	18.2	
125	2	A	R	R	T01A23	170	248	644	200	594	150	15	63	3	5	T30R23	2800	228	190	595	160	12	116	18.2	
	3	A	R	R	T01A33	170	248	644	200	594	150	15	79	3	5	T30R33	2800	228	190	655	160	12	132	18.2	
	4	B	S	S	T01B43	170	288	644	200	594	150	15	125	3	5	T30S43	2760	274	190	725	200	12	200	22.8	
	5	B	S	S	T01B53	170	288	644	200	594	150	15	147	3	5	T30S53	2760	274	190	785	200	12	222	22.8	
	2	B	S	S	T01B24	170	288	644	200	594	150	15	81	3	5	T30S24	2760	274	190	665	200	12	156	22.8	
250	3	B	S	S	T01B34	170	288	644	200	594	150	15	103	3	5	T30S34	2760	274	190	725	200	12	178	22.8	
	4	C	T	T	T02C44	210	346	930	250	870	190	22	195	3.5	5.5	T35T44	3212	323	190	800	240	17	320	35	
	5	C	T	T	T02C54	210	346	930	250	870	190	22	226	3.5	5.5	T35T54	3212	323	190	860	240	17	351	35	
	6	D	U	U	T02D64	210	406	930	250	870	190	22	340						190	1000	300				
	6	E	V	V	T03E64	255	500	1240	300	1160	220	34	410	4	6	T40V64	3640	443	190	1065	300	20	705	64	
	7	E	V	V	T03E74	255	500	1240	300	1160	220	34	555	4	6	T40V74	3580	443	190	1135	360	20	852	64	
	500	2	C	T	T	T02C25	210	346	930	250	870	190	22	134	3.5	5.5	T35T25	3212	323	190	740	240	17	260	35
3		C	T	T	T02C35	210	346	930	250	870	190	22	165	3.5	5.5	T35T35	3212	323	190	800	240	17	290	35	
4		D	U	U	T02D45	210	406	930	250	870	190	22	256	3.5	5.5	T35U45	3152	386	190	880	300	17	430	43.5	
5		D	U	U	T02D55	210	406	930	250	870	190	22	298	3.5	5.5	T35U55	3152	386	190	940	300	17	472	43.5	
6		E	V	V	T03E65	255	500	1240	300	1160	220	34	482	4	5	T40V65	3580	443	190	1140	360	20	779	64	
6		F	Z	Z1											4	6	T40Z65	3580	513	190	1140	360	20	864	75.2
7		E	V	V	T03E75	255	540	1240	300	1160	220	34	596	4	4	T40V75	3540	443	190	1270	400	20	893	64	
1000	7	F	Z	Z1										4	6	T40Z75	3540	513	190	1270	400	20	978	75.2	
	2	D	U	U	T02D27	210	406	930	250	870	190	22	172	3.5	5.5	T35U27	3152	386	190	820	300	17	346	43.5	
	3	D	U	U	T02D37	210	406	930	250	870	190	22	214	3.5	5.5	T35U37	3152	386	190	880	300	17	388	43.5	
	4	E	V	V	T03E47	255	499	1240	300	1160	220	34	381	4	6	T40V47	3580	443	190	945	360	20	678	64	
	5	E	V	V	T03E57	255	499	1240	300	1160	220	34	438	4	6	T40V57	3580	443	190	1005	360	20	735	64	
	6	F	Z	Z1	T03F67	255	540	1240	300	1160	220	34	530	4	4	T40Z67	3540	513	190	1190	400				

GBP/GBA SERIES JIB CRANES – H VERSION – OVERBRACED VERSION

270° Wall-mounted jib crane
Rotation 270°



300° Column-mounted jib crane
Rotation 300°



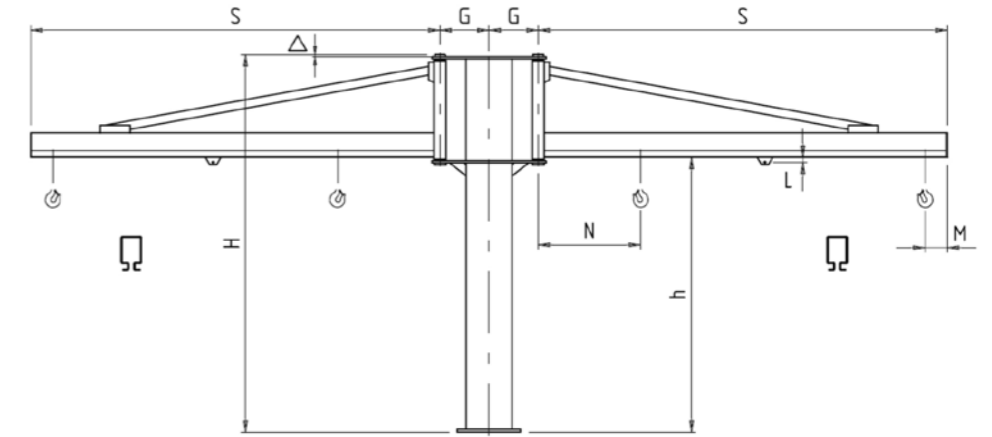
Heights M* and N* for wall-mounted jib cranes. See corresponding heights relative to column-mounted jib cranes.

LIFTING CAPACITY (kg)	SIZE OF JIB CRANE			GBP SERIES WALL-MOUNTED JIB CRANES - H VERSION									GBA SERIES COLUMN-MOUNTED CRANE - VERSION H											
	ARM S m	BRACKET	COLUMN	COUNTERPLATE	TYPE	OVERALL DIMENSIONS (mm)						WEIGHT JIB CRANE kg	HEIGHT H m		TYPE	OVERALL DIMENSIONS (mm)					WEIGHT			
						A	B	C	D	E	F		Ø	BASE		MAX.	UNDER BEAM h	G	M	N	T (IPE)	Δ	JIB CRANE kg	COLUMN BY m kg
125	6	C	T	T	H02C63	210	820	930	250	870	190	22	160	3.5	5.5	H35T63	2738	323	190	900	160	17	285	35
	7	C	T	T	H02C73	210	820	930	250	870	190	22	180	3.5	5.5	H35T73	2738	323	190	960	160	17	305	35
	8	D	U	U	H02D83	210	820	930	250	870	190	22	251	3.5	5.5	H35U83	2738	386	190	1070	200	17	425	43.5
250	4	C	T	T	H02C44	210	820	930	250	870	190	22	122	3.5	5.5	H35T44	2738	323	190	780	160	17	247	35
	5	C	T	T	H02C54	210	820	930	250	870	190	22	141	3.5	5.5	H35T54	2738	323	190	840	160	17	266	35
	6	D	U	U	H02D64	210	820	930	250	870	190	22	200	3.5	5.5	H35U64	2738	386	190	950	200	17	374	43.5
500	7	D	U	U	H02D74	210	820	930	250	870	190	22	226	3.5	5.5	H35U74	2738	386	190	1010	200	17	400	43.5
	8	E	V	V	H03E84	255	1100	1240	300	1160	220	34	303	4	6	H40V84	2980	443	190	1140	200	20	620	64
	4	D	U	U	H02D45	210	820	930	250	870	190	22	149	3.5	5.5	H35U45	2738	386	190	830	200	17	323	43.5
1000	5	D	U	U	H02D55	210	820	930	250	870	190	22	175	3.5	5.5	H35U55	2738	386	190	890	200	17	349	43.5
	6	E	V	V	H03E65	255	1100	1240	300	1160	220	34	262	4	6	H40V65	2980	443	190	1020	200	20	559	64
	7	E	V	V	H03E75	255	1100	1240	300	1160	220	34	293	4	6	H40V75	2980	443	190	1080	200	20	590	64
1600	8	F	Z	Z1	H03F85	255	1100	1240	300	1160	220	34	389	4	6	H40Z85	2980	513	190	1240	240	20	771	75.2
	4	E	V	V	H03E47	255	1100	1240	300	1160	220	34	200	4	6	H40V47	2980	443	190	900	200	20	497	64
	5	E	V	V	H03E57	255	1100	1240	300	1160	220	34	231	4	6	H40V57	2980	443	190	960	200	20	528	64
2000	6	F	Z	Z1	H03F67	255	1100	1240	300	1160	220	34	312	4	6	H40Z67	2980	513	190	1120	240	20	694	75.2
	7	F	Z	Z1	H03F77	255	1100	1240	300	1160	220	34	351	4	6	H40Z77	2980	513	190	1180	240	20	733	75.2
	8	F	Z	Z2	H03F87	255	1100	1240	300	1160	220	34	430	4	6	H40Z87	2980	513	190	1180	*152	20	812	75.2
2000	6	F	Z	Z2	H03F68	255	1100	1240	300	1160	220	34	312	4	6	H40Z68	2980	513	210	1140	240	20	694	75.2
	4	F	Z	Z2	H03F49	255	1100	1240	300	1160	220	34	233	4	6	H40Z49	2980	513	210	1020	240	20	615	75.2
	5	F	Z	Z2	H03F59	255	1100	1240	300	1160	220	34	272	4	6	H40Z59	2980	513	210	1080	240	20	654	75.2

* Profiled girder type HEA160

GBA SERIES JIB CRANES WITH DOUBLE ARM *C VERSION – PROFILED CHANNEL

260° Column-mounted jib crane
Rotation 260°+260°

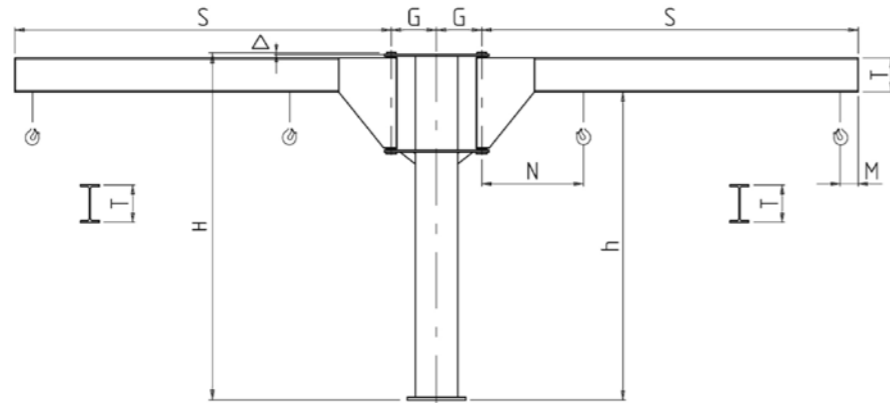


LIFTING CAPACITY (kg)	ARM S		SIZE OF JIB CRANE		TROLLEY TYPE	GBA SERIES COLUMN-MOUNTED CRANE - VERSION C										
	ARM (m)	ARM CW COVER (mm)	COLUMN	COUNTERPLATE		HEIGHT H m		TYPE	OVERALL DIMENSIONS (mm)					WEIGHT		
						BASE	MAX.		UNDER BEAM h	G	L	M	N	Δ	JIB CRANE kg	COLUMN BY m kg
63+63	2	2056	R	R	CCP	3	5	C30G20	2496	228	34	140	525	12	139	18.2
	3	3056	R	R	CCP	3	5	C30G30	2496	228	34	140	585	12	165	18.2
	4	4056	S	S	CCP	3	5	C30H40	2496	274	34	140	585	12	215	22.8
	5	5056	S	S	CCP	3	5	C30H50	2496	274	34	140	645	12	241	22.8
	6	6066	T	T	CCP	3.5	5.5	C35I60	2738	323	34	140	785	17	376	35
	7	7066	T	T	CCP	3.5	5.5	C35I70	2738	323	34	140	845	17	406	35
	125+125	2	2056	S	S	CCP	3	5	C30H20	2496	274	34	140	525	12	163
3		3056	S	S	CCP	3	5	C30H30	2496	274	34	140	585	12	189	22.8
4		4066	T	T	CCP	3.5	5.5	C35I40	2738	323	34	140	665	17	316	35
5		5066	T	T	CCP	3.5	5.5	C35I50	2738	323	34	140	725	17	346	35
6		6066	U	U	CCP	3.5	5.5	C35L60	2738	386	34	140	820	17	430	43.5
7		7066	U	U	CCP	3.5	5.5	C35L70	2738	386	34	140	880	17	460	43.5
250+250		2	2066	T	T	CCP	3.5	5.5	C35I20	2738	323	34	140	610	17	256
	3	3066	T	T	CCP	3.5	5.5	C35I30	2738	323	34	140	670	17	286	35
	4	4066	U	U	CCP	3.5	5.5	C35L40	2738	386	34	140	695	17	386	43.5
	5	5066	U	U	CCP	3.5	5.5	C35L50	2738	386	34	140	755	17	418	43.5
	6	6076	V	V	CCG	4	6	C40M60	2980	443	43	156	880	20	815	64
	7	7076	V	V	CCG	4	6	C40M70	2980	443	43	156	940	20	875	64
	500+500	2	2066	U	U	CCPD	3.5	5.5	C35L20	2738	386	34	265	750	17	310
3		3066	U	U	CCPD	3.5	5.5	C35L30	2738	386	34	265	810	17	340	43.5
4		4076	V	V	CCG	4	6	C40M40	2980	443	43	156	760	20	700	64
5		5076	V	V	CCG	4	6	C40M50	2980	443	43	156	820	20	757	64
6		6076	Z	Z1	CCG	4	6	C40N60	2980	513	43	156	950	20	963	75.2
7		7076	Z	Z1	CCG	4	6	C40N70	2980	513	43	156	1000	20	1030	75.2
1000+1000		2	2076	V	V	CCGD	4	6	C40M20	2980	443	60	306	515	20	509
	3	3076	V	V	CCGD	4	6	C40M30	2980	443	60	306	655	20	538	64
	4	4076	Z	Z1	CCGD	4	6	C40N40	2980	513	60	306	1040	20	792	75.2
	5	5076	Z	Z1	CCGD	4	6	C40N50	2980	513	60	306	1100	20	850	75.2

* Availability subject to confirmation

GBA SERIES JIB CRANES WITH DOUBLE ARM – T VERSION – CANTILEVER PROFILED GIRDER

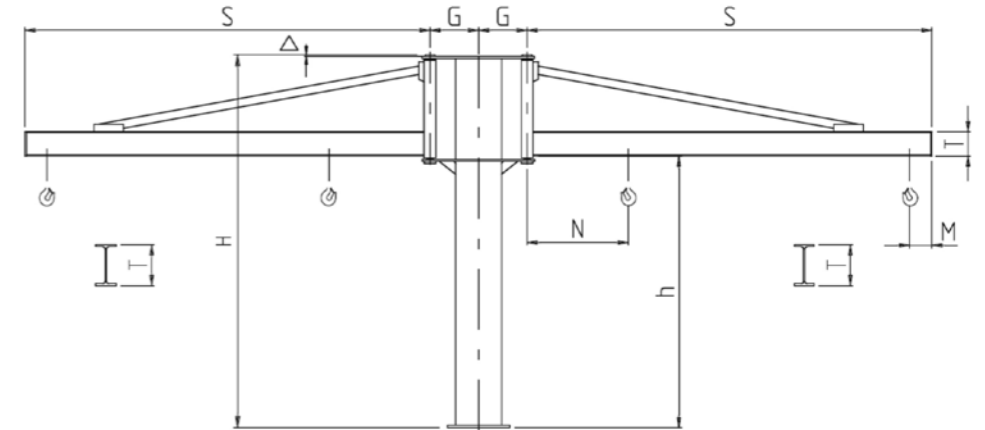
260° Column-mounted jib crane
Rotation 260°+260°



LIFTING CAPACITY (kg)	ARM S m	SIZE OF JIB CRANE		GBA SERIES COLUMN-MOUNTED CRANE - VERSION T										
		COLUMN	COUNTERPLATE	HEIGHT H m		TYPE	OVERALL DIMENSIONS (mm)						WEIGHT	
				BASE	MAX.		UNDER BEAM h	G	M	N	T (IPE)	Δ	JIB CRANE kg	COLUMN BY m kg
63+63	2	R	R	3	5	T30G21	2800	228	190	595	160	12	170	18.2
	3	R	R	3	5	T30G31	2800	228	190	655	160	12	202	18.2
	4	S	S	3	5	T30H41	2800	274	190	725	160	12	257	22.8
	5	S	S	3	5	T30H51	2800	274	190	785	160	12	290	22.8
125+125	2	S	S	3	5	T30H23	2800	274	190	595	160	12	193	22.8
	3	S	S	3	5	T30H33	2800	274	190	655	160	12	225	22.8
	4	T	T	3.5	5.5	T35I43	3212	323	190	800	240	17	496	35
	5	T	T	3.5	5.5	T35I53	3212	323	190	860	240	17	558	35
	6	V	V	4	6	T40M63	3640	443	190	1065	300	20	1092	64
250+250	7	V	V	4	6	T40M73	3580	443	190	1135	360	20	1385	64
	2	T	T	3.5	5.5	T35I24	3212	323	190	740	240	17	375	35
	3	T	T	3.5	5.5	T35I34	3212	323	190	800	240	17	436	35
	4	U	U	3.5	5.5	T35L44	3212	386	190	800	240	17	550	43.5
	5	U	U	3.5	5.5	T35L54	3212	386	190	860	240	17	612	43.5
	6	V	V	4	5	T40M64	3640	443	190	1065	300	20	1092	64
	6	Z	Z1	4	6	T40N64	3640	513	190	1065	300	20	1183	75.2
	7	V	V	4	4	T40M74	3580	443	190	1135	360	20	1385	64
500+500	7	Z	Z1	4	6	T40N74	3580	513	190	1135	360	20	1477	75.2
	2	U	U	3.5	5.5	T35L25	3212	386	190	740	240	17	428	43.5
	3	U	U	3.5	5.5	T35L35	3212	386	190	800	240	17	490	43.5
	4	V	V	4	6	T40M45	3580	443	190	945	360	20	1037	64
	5	V	V	4	6	T40M55	3580	443	190	1005	360	20	1152	64
1000+1000	6	Z	Z1	4	4	T40N65	3580	513	190	1140	360	20	1332	75.2
	2	V	V	4	6	T40M20	3587	443	190	900	360	20	809	64
	3	V	V	4	6	T40M30	3587	443	190	960	360	20	923	64
4	Z	Z2	4	6	T40N40	3587	513	190	945	360	20	1129	75.2	


GBA SERIES JIB CRANES WITH DOUBLE ARM – H VERSION – OVERBRACED VERSION

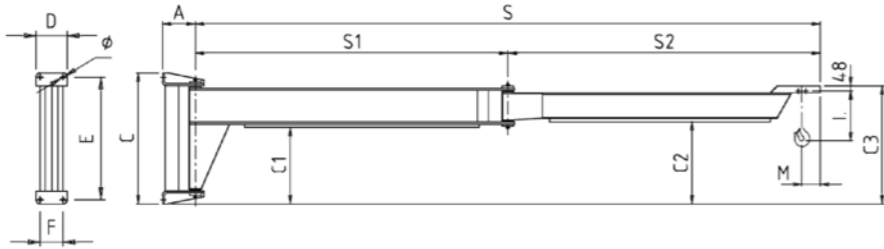
260° Column-mounted jib crane
Rotation 260°+260°



LIFTING CAPACITY (kg)	ARM S m	SIZE OF JIB CRANE		GBA SERIES COLUMN-MOUNTED CRANE - VERSION T										
		COLUMN	COUNTERPLATE	HEIGHT H m		TYPE	OVERALL DIMENSIONS (mm)						WEIGHT	
				BASE	MAX.		UNDER BEAM h	G	M	N	T (IPE)	Δ	JIB CRANE kg	COLUMN BY m kg
125+125	4	T	T	3.5	5.5	H35I40	2738	323	190	780	160	17	350	35
	5	T	T	3.5	5.5	H35I50	2738	323	190	840	160	17	388	35
	6	U	U	3.5	5.5	H35L60	2738	386	190	900	160	17	480	43.5
	7	U	U	3.5	5.5	H35L70	2738	386	190	960	160	17	520	43.5
	8	V	V	4	6	H40M80	2980	443	190	1140	200	20	922	64
250+250	4	U	U	3.5	5.5	H35L40	2738	386	190	780	160	17	405	43.5
	5	U	U	3.5	5.5	H35L50	2738	386	190	840	160	17	442	43.5
	6	V	V	4	6	H40M60	2980	443	190	1020	200	20	800	64
	7	V	V	4	6	H40M70	2980	443	190	1080	200	20	862	64
500+500	8	Z	Z1	4	6	H40N80	2980	513	190	1140	200	20	1013	75.2
	4	V	V	4	6	H40M40	2980	443	190	900	200	20	675	64
	5	V	V	4	6	H40M50	2980	443	190	960	200	20	737	64
	6	Z	Z	4	6	H40N60	2980	513	190	945	200	20	892	75.2
800+800	7	Z	Z1	4	6	H40N70	2980	513	190	1005	200	20	953	75.2
	8	Z	Z2	4	4	H40N85	2980	513	190	1240	240	20	1145	75.2
	6	Z	Z2	4	6	H40N65	2980	513	190	1120	240	20	992	75.2
1000+1000	4	Z	Z2	4	6	H40N40	2980	513	190	900	200	20	767	75.2
	5	Z	Z2	4	6	H40N50	2980	513	190	960	200	20	830	75.2


WALL-MOUNTED JIB CRANES WITH ARTICULATED ARM, WITH FIXED HOIST – MBB SERIES

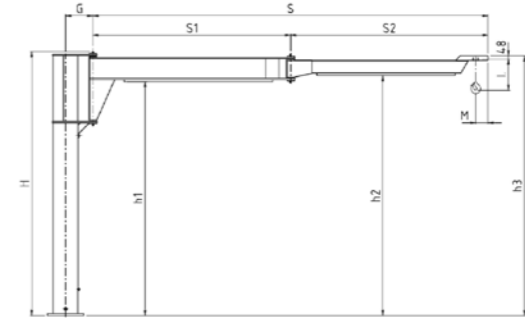
 Wall-mounted jib crane
Rotation 360°



LIFTING CAPACITY (kg)	ARM S m	SIZE OF JIB CRANE	TYPE	WALL-MOUNTED JIB CRANES WITH ARTICULATED ARM, WITH FIXED HOIST - MBB SERIES OVERALL DIMENSIONS (mm)														WEIGHT JIB CRANE kg
															ADDED HOIST			
				S1	S2	A	C	C1	C2	C3	D	E	F	Ø	M	DMK	HEIGHT I	
125	3	A	A01A3A	1000	2000	225	644	200	373	591	200	594	150	15	180	1	275	114
			A01A3B	1500	1500	225	644	200	373	591	200	594	150	15	180	1	275	138
			A01A3C	2000	1000	225	644	200	373	591	200	594	150	15	180	1	275	160
	4	B	A01B4A	1000	3000	225	644	200	333	591	200	594	150	15	180	1	275	141
			A01B4B	1500	2500	225	644	200	333	591	200	594	150	15	180	1	275	163
			A01B4C	2000	2000	225	644	200	333	591	200	594	150	15	180	1	275	171
	5	B	A01B5A	2000	3000	225	644	200	333	591	200	594	150	15	180	1	275	198
			A01B5B	2500	2500	225	644	200	333	591	200	594	150	15	180	1	275	220
			A01B5C	3000	2000	225	644	200	373	591	200	594	150	15	180	1	275	230
	6	C	A02C6B	2500	3500	280	930	455	592	850	250	870	190	22	180	1	275	326
			A02C6C	3000	3000	280	930	455	592	850	250	870	190	22	180	1	275	361
	7	C	A02C7A	3000	4000	280	930	455	572	850	250	870	190	22	180	1	275	389
			A02C7B	3500	3500	280	930	455	592	850	250	870	190	22	180	1	275	410
	250	3	B	A01B3A	1000	2000	225	644	200	333	591	200	594	150	15	180	1-2	275-310
A01B3B				1500	1500	225	644	200	333	591	200	594	150	15	180	1-2	275-310	145
4		C	A02C4A	1000	3000	280	930	455	552	850	250	870	190	22	180	1-2	275-310	218
			A02C4C	2000	2000	280	930	455	592	850	250	870	190	22	180	1-2	275-310	258
5		C	A02C5A	2000	3000	280	930	455	552	850	250	870	190	22	180	1-2	275-310	295
			A02C5B	2500	2500	280	930	455	552	850	250	870	190	22	180	1-2	275-310	324
6		D	A02D6B	2500	3500	280	930	455	552	850	250	870	190	22	180	1-2	275-310	348
			A02D6C	3000	3000	280	930	455	552	850	250	870	190	22	180	1-2	275-310	380
7		D	A02D7A	3000	4000	280	930	455	552	850	250	870	190	22	180	1-2	275-310	405
			A02D7B	3500	3500	280	930	455	552	850	250	870	190	22	180	1-2	275-310	432
500	3	C	A02C3A	1000	2000	280	930	455	592	850	250	870	190	22	180	2	310	182
			A02C3F	1000	2000	280	930	455	592	850	250	870	190	22	190	3	378	182
			A02C3B	1500	1500	280	930	455	592	850	250	870	190	22	180	2	310	215
			A02C3G	1500	1500	280	930	455	592	850	250	870	190	22	190	3	378	215
	4	D	A02D4A	1000	3000	280	930	455	552	850	250	870	190	22	180	2	310	218
			A02D4F	1000	3000	280	930	455	552	850	250	870	190	22	190	3	378	218
			A02D4C	2000	2000	280	930	455	592	850	250	870	190	22	180	2	310	258
			A02D4H	2000	2000	280	930	455	592	850	250	870	190	22	190	3	378	258
	5	D	A02D5A	2000	3000	280	930	455	552	850	250	870	190	22	180	2	310	295
			A02D5F	2000	3000	280	930	455	552	850	250	870	190	22	190	3	378	295
			A02D5B	2500	2500	280	930	455	552	850	250	870	190	22	180	2	310	324
			A02D5G	2500	2500	280	930	455	552	850	250	870	190	22	190	3	378	324
	6	E	A03E6A	2000	4000	315	1240	725	780	1118	300	1160	220	34	180	2	310	518
			A03E6F	2000	4000	315	1240	725	780	1118	300	1160	220	34	190	3	378	518
			A03E6C	3000	3000	315	1240	725	820	1118	300	1160	220	34	180	2	310	575
			A03E6H	3000	3000	315	1240	725	820	1118	300	1160	220	34	190	3	378	575
7	E	A03E7A	3000	4000	315	1240	725	780	1118	300	1160	220	34	180	2	310	633	
		A03E7F	3000	4000	315	1240	725	780	1118	300	1160	220	34	190	3	378	633	
		A03E7B	3500	3500	315	1240	725	780	1118	300	1160	220	34	180	2	310	683	
		A03E7G	3500	3500	315	1240	725	780	1118	300	1160	220	34	190	3	378	683	

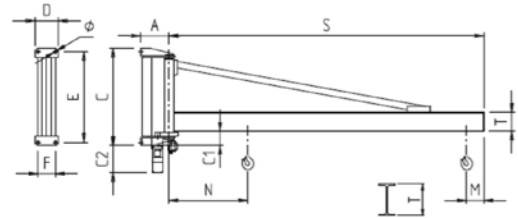
COLUMN-MOUNTED JIB CRANES WITH ARTICULATED ARM, WITH FIXED HOIST – CBB SERIES

 Column-mounted jib crane
Rotation 360°

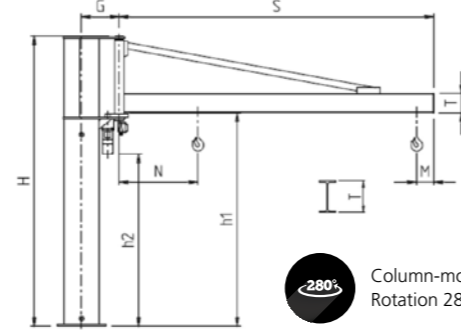


LIFTING CAPACITY (kg)	ARM S m	SIZE OF JIB CRANE	HEIGHT H mm		TYPE	COLUMN-MOUNTED JIB CRANE WITH ARTICULATED ARM, WITH FIXED HOIST - CBB SERIES OVERALL DIMENSIONS (mm)											WEIGHT	
			BASE	MAX.		UNDER BEAM									ADDED HOIST		JIB CRANE kg	COLUMN BY m kg
						h1	h2	h3	S1	S2	G	M	Δ	DMK	HEIGHT I			
125	3	R	3020	5020	A30R3A	2603	2777	2995	1000	2000	228	180	32	1	275	166	18.2	
			3020	5020	A30R3B	2603	2777	2995	1500	1500	228	180	32	1	275	190	18.2	
			3020	5020	A30R3C	2603	2777	2995	2000	1000	228	180	32	1	275	212	18.2	
			3020	5020	A30S4A	2603	2737	2995	1000	3000	274	180	32	1	275	215	22.8	
			3020	5020	A30S4B	2603	2737	2995	1500	2500	274	180	32	1	275	237	22.8	
			3020	5020	A30S4C	2603	2777	2995	2000	2000	274	180	32	1	275	245	22.8	
	4	S	3020	5020	A30S5A	2603	2737	2995	2000	3000	274	180	32	1	275	272	22.8	
			3020	5020	A30S5B	2603	2737	2995	2500	2500	274	180	32	1	275	294	22.8	
			3020	5020	A30S5C	2603	2777	2995	3000	2000	274	180	32	1	275	304	22.8	
			3525	5525	A35T6B	3083	3220	3478	2500	3500	323	180	42	1	275	450	35	
	6	T	3525	5525	A35T6C	3083	3220	3478	3000	3000	323	180	42	1	275	485	35	
			3525	5525	A35T7A	3083	3200	3478	3000	4000	323	180	42	1	275	513	35	
	7	T	3525	5525	A35T7B	3083	3220	3478	3500	3500	323	180	42	1	275	534	35	
			3525	5525	A35U6A	3083	3180	3478	1000	2000	323	180	42	1-2	275-310	198	22.8	
250	3	S	3020	5020	A30S3A	2603	2737	2995	1500	1500	274	180	32	1-2	275-310	220	22.8	
			3525	5525	A35T4A	3083	3180	3478	1000	3000	323	180	42	1-2	275-310	342	35	
	4	T	3525	5525	A35T4C	3083	3220	3478	2000	2000	323	180	42	1-2	275-310	382	35	
			3525	5525	A35T5A	3083	3180	3478	2000	3000	323	180	42	1-2	275-310	419	35	
	5	T	3525	5525	A35T5B	3083	3180	3478	2500	2500	323	180	42	1-2	275-310	448	35	
			3525	5525	A35U6B	3083	3180	3478	2500	3500	386	180	42	1-2	275-310	520	43.5	
	6	U	3525	5525	A35U6C	3083	3180	3478	3000	3000	386	180	42	1-2	275-310	552	43.5	
			3525	5525	A35U7A	3083	3180	3478	3000	4000	386	180	42	1-2	275-310	577	43.5	
	7	U	3525	5525	A35U7B	3083	3180	3478	3500	3500	386	180	42	1-2	275-310	604	43.5	
			3525	5525	A35T3A	3083	3220	3478	1000	2000	323	180	42	2	310	306	35	
500	3	T	3525	5525	A35T3B	3083	3220	3478	1000	2000	323	190	42	3	378	306	35	
			3525	5525	A35T3G	3083	3220	3478	1500	1500	323	180	42	2	310	339	35	
			3525	5525	A35T3H	3083	3220	3478	1500	1500	323	190	42	3	378	339	35	
			3525	5525	A35U4A	3083	3180	3478	1000	3000	386	180	42	2	310	390	43.5	
	4	U	3525	5525	A35U4F	3083	3180	3478	1000	3000	386	190	42	3	378	390	43.5	
			3525	5525	A35U4C	3083	3220	3478	2000	2000	386	180	42	2	310	430	43.5	
			3525	5525	A35U4H	3083	3220	3478	2000	2000	386	190	42	3	378	430	43.5	
			3525	5525	A35U5A	3083	3180	3478	2000	3000	386	180	42	2	310	467	43.5	
	5	U	3525	5525	A35U5F	3083	3180	3478	2000	3000	386	190	42	3	378	467	43.5	
			3525	5525	A35U5B	3083	3180	3478	2500	2500	386	180	42	2	310	496	43.5	
			3525	5525	A35U													

MBE/CBE SERIES JIB CRANES – H VERSION – MOTORISED ARM OVERBRACED VERSION



Wall-mounted jib crane
Rotation 290°



Column-mounted jib crane
Rotation 280°

LIFTING CAPACITY (kg)	ARM S m	SIZE OF JIB CRANE	TYPE	MBE SERIES WALL-MOUNTED JIB CRANE - H VERSION - MOTORISED ARM OVERBRACED VERSION															
				OVERALL DIMENSIONS (mm)											ARM SPEED		MOTOR POWER kW	WEIGHT JIB CRANE kg	
				A	B	C	C1	C2	D	E	F	Ø	M	N	T (IPE)	NO. OF REVOLUTIONS R.P.M.			PERIPHERAL m/min
250	6	D	EH02D64	340	778	930	152	378	250	870	190	22	190	1080	200	0.6	23	0.4	258
	7	D	EH02D74	340	778	930	152	378	250	870	190	22	190	1200	*152	0.6	26	0.4	340
	8	E	EH03E84	365	1058	1240	182	348	300	1160	220	34	190	1210	*152	0.6	30	0.4	497
500	4	D	EH02D45	340	778	930	152	378	250	870	190	22	190	960	200	1	25	0.4	207
	5	D	EH02D55	340	778	930	152	378	250	870	190	22	190	1020	200	0.8	25	0.4	233
	6	E	EH03E65	365	1058	1240	182	348	300	1160	220	34	190	1090	200	0.6	23	0.4	334
	7	E	EH03E75	365	1058	1240	182	348	300	1160	220	34	190	1210	*152	0.6	26	0.4	451
1000	8	F	EH03F85	365	1058	1240	182	348	300	1160	220	34	190	1210	*152	0.6	30	0.4	497
	4	E	EH03E47	365	1058	1240	182	348	300	1160	220	34	190	970	200	1	25	0.4	272
	5	E	EH03E57	365	1058	1240	182	348	300	1160	220	34	190	1030	200	0.8	25	0.4	304
	6	F	EH03F67	365	1058	1240	182	348	300	1160	220	34	190	1090	240	0.6	23	0.4	384
1600	7	F	EH03F77	365	1058	1240	182	348	300	1160	220	34	190	1210	*152	0.6	26	0.4	451
	8	F	EH03F87	365	1058	1240	182	348	300	1160	220	34	190	1210	*152	0.6	30	0.4	497
2000	6	F	EH03F68	365	1058	1240	182	348	300	1160	220	34	210	1170	*152	0.6	23	0.4	420
	4	F	EH03F49	365	1058	1240	182	348	300	1160	220	34	210	990	240	0.8	20	0.4	306
	5	F	EH03F59	365	1058	1240	182	348	300	1160	220	34	210	1050	240	0.6	20	0.4	344

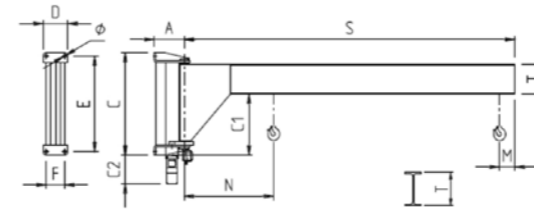
* Profiled girder type HEA160

LIFTING CAPACITY (kg)	ARM S m	SIZE OF JIB CRANE	COUNTERPLATE	CBE SERIES COLUMN-MOUNTED JIB CRANE - H VERSION - MOTORISED ARM OVERBRACED VERSION														
				HEIGHT H mm		TYPE	OVERALL DIMENSIONS (mm)					ARM SPEED		MOTOR POWER kW	WEIGHT			
				BASE	MAX.		h1	h2	G	M	N	T (IPE)	Δ		NO. OF REVOLUTIONS R.P.M.	PERIPHERAL m/min	JIB CRANE kg	COLUMN BY m kg
250	6	U	U	3.5	5.5	EH35U64	2780	2250	436	190	1080	200	17	0.6	23	0.4	420	43.5
	7	U	U	3.5	5.5	EH35U74	2780	2250	436	190	1200	*152	17	0.6	26	0.4	507	43.5
	8	V	V	4	6	EH40V84	3022	2492	463	190	1210	*152	20	0.6	30	0.4	765	64
500	4	U	U	3.5	5.5	EH35U45	2780	2250	436	190	960	200	17	1	25	0.4	370	43.5
	5	U	U	3.5	5.5	EH35U55	2780	2250	436	190	1020	200	17	0.8	25	0.4	395	43.5
	6	V	V	4	6	EH40V65	3022	2492	463	190	1090	200	20	0.6	23	0.4	600	64
	7	V	V	4	6	EH40V75	3022	2492	463	190	1210	*152	20	0.6	26	0.4	720	64
	8	Z	Z1	4	6	EH40Z85	3022	2492	513	190	1210	*152	20	0.6	30	0.4	850	75.2
1000	4	V	V	4	6	EH40V47	3022	2492	463	190	970	200	20	1	25	0.4	538	64
	5	V	V	4	6	EH40V57	3022	2492	463	190	1030	200	20	0.8	25	0.4	570	64
	6	Z	Z1	4	6	EH40Z67	3022	2492	513	190	1090	240	20	0.6	23	0.4	737	75.2
	7	Z	Z1	4	6	EH40Z77	3022	2492	513	190	1210	*152	20	0.6	26	0.4	805	75.2
1600	8	Z	Z2	4	6	EH40Z87	3022	2492	513	190	1210	*152	20	0.6	30	0.4	850	75.2
	6	Z	Z2	4	6	EH40Z68	3022	2492	513	210	1170	*152	20	0.6	23	0.4	767	75.2
2000	4	Z	Z2	4	6	EH40Z49	3022	2492	513	210	990	240	20	0.8	20	0.4	660	75.2
	5	Z	Z2	4	6	EH40Z59	3022	2492	513	210	1050	240	20	0.6	20	0.4	697	75.2

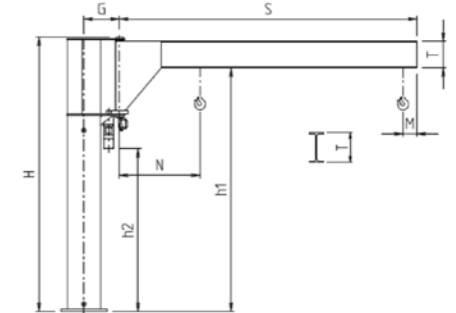
* Profiled girder type HEA160

MBE/CBE SERIES JIB CRANES – T VERSION – MOTORISED ARM CANTILEVER VERSION

Wall-mounted jib crane
Rotation 290°



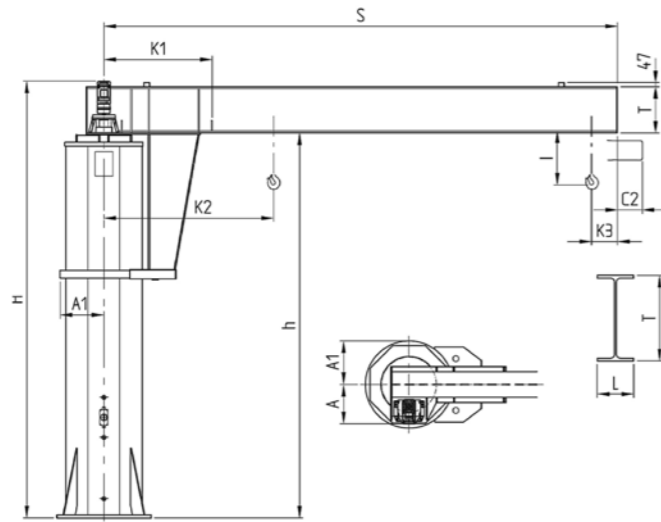
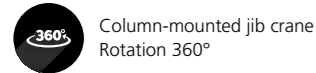
Wall-mounted jib crane
Rotation 290°



LIFTING CAPACITY (kg)	ARM S m	SIZE OF JIB CRANE	TYPE	MBE SERIES WALL-MOUNTED JIB CRANE - T VERSION - MOTORISED ARM IN CANTILEVER VERSION															
				OVERALL DIMENSIONS (mm)											ARM SPEED		MOTOR POWER kW	WEIGHT JIB CRANE kg	
				A	B	C	C1	C2	D	E	F	Ø	M	N	T (IPE)	NO. OF REVOLUTIONS R.P.M.			PERIPHERAL m/min
500	4	D	ET02D45	340	406	930	524	378	250	870	190	22	190	910	300	1	25	0.4	313
	5	D	ET02D55	340	406	930	524	378	250	870	190	22	190	970	300	0.8	25	0.4	355
	6	E	ET03E65	365	500	1240	740	348	300	1160	220	34	190	1080	360	0.6	23	0.4	574
	7	E	ET03E75	365	540	1240	700	348	300	1160	220	34	190	1270	400	0.6	26	0.4	680
1000	2	D	ET02D27	340	406	930	524	378	250	870	190	22	190	850	300	1.6	20	0.4	229
	3	D	ET02D37	340	406	930	524	378	250	870	190	22	190	910	300	1.2	23	0.4	271
	4	E	ET03E47	365	500	1240	740	348	300	1160	220	34	190	970	360	1	25	0.4	456
	5	E	ET03E57	365	500	1240	740	348	300	1160	220	34	190	1030	360	0.8	25	0.4	514
1600	6	F	ET03F67	365	500	1240	740	348	300	1160	220	34	190	1080	360	0.6	23	0.4	574
	6	F	ET03F68	365	590	1240	650	348	300	1160	220	34	210	1200	450	0.6	23	0.4	714
2000	2	E	ET03E29	365	500	1240	740	348	300	1160	220	34	210	930	360	1.6	20	0.4	341
	3	E	ET03E39	365	500	1240	740	348	300	1160	220	34	210	990	360	1.2	23	0.4	399
	4	F	ET03F49	365	540	1240	700	348	300	1160	220	34	210	1080	400	0.8	20	0.4	508
	5	F	ET03F59	365	590	1240	650	348	300	1160	220	34	210	1130	450	0.6	20	0.4	635

LIFTING CAPACITY (kg)	ARM S m	SIZE OF JIB CRANE	COUNTERPLATE	CBE SERIES COLUMN-MOUNTED JIB CRANE - T VERSION - MOTORISED ARM IN CANTILEVER VERSION														
				HEIGHT H mm		TYPE	OVERALL DIMENSIONS (mm)					ARM SPEED		MOTOR POWER kW	WEIGHT			
				BASE	MAX.		h1	h2	G	M	N	T (IPE)	Δ		NO. OF REVOLUTIONS R.P.M.	PERIPHERAL m/min	JIB CRANE kg	COLUMN BY m kg
500	4	U	U	3.5	5.5	ET35U45	3152	2250	436	190	910	300	17	1	25	0.4	476	43.5
	5	U	U	3.5	5.5	ET35U55	3152	2250	436	190	970	300	17	0.8	25	0.4	518	43.5
	6	V	V	4	5	ET40V65	3580	2492	463	190	1080	360	20	0.6	23	0.4	840	64
	6	Z	Z1	4	6	ET40Z65	3580	2492	513	190	1080	360	20	0.6	23	0.4	927	75.2
	7	V	V	4	4	ET40V75	3540	2452	463	190	1270	400	20	0.6	26	0.4	945	64
	7	Z	Z1	4	6	ET40Z75	3540	2452	513	190	1270	400	20	0.6	26	0.4	1032	75.2
	1000	2	U	U	3.5	5.5	ET35U27	3152	2250	436	190	850	300	17	1.6	20	0.4	392
3		U	U	3.5	5.5	ET35U37	3152	2250	436	190	910	300	17	1.2	23	0.4	434	43.5
4		V	V	4	6	ET40V47	3580	2492	463	190	970	360	20	1	25	0.4	722	64
5		V	V	4	6	ET40V57	3580	2492	463	190	1030	360	20	0.8	25	0.4	780	64
2000	6	Z	Z1	4	6	ET40Z67	3580	2492	513	190	1080	360	20	0.6	23	0.4	927	75.2
	2	V	V	4	6	ET40V29	3580	2492	463	210	930	360	20	1.6	20	0.4	607	64
	3	V	V	4	6	ET40V39	3580	2492	463	210	990	360	20	1.2	23	0.4	665	64
	4	Z	Z2	4	6	ET40Z49	3540	2492	513	210	1080	400	20	0.8	20	0.4	832	75.2

GBL SERIES COLUMN-MOUNTED JIB CRANE – ELECTRICALLY/MANUALLY ROTATED AT 360° CONTINUOUSLY



GBL jib cranes with DRH electric wire rope hoist:

K2 = K1+(C+H-S3)* referring to the fixed mechanical limit switch
K3 = (C+S3)* referring to fixed mechanical limit switch
I and C2 = (*) See commercial catalogue for DRH hoists

GBL jib cranes with DMK electrical chain hoist:

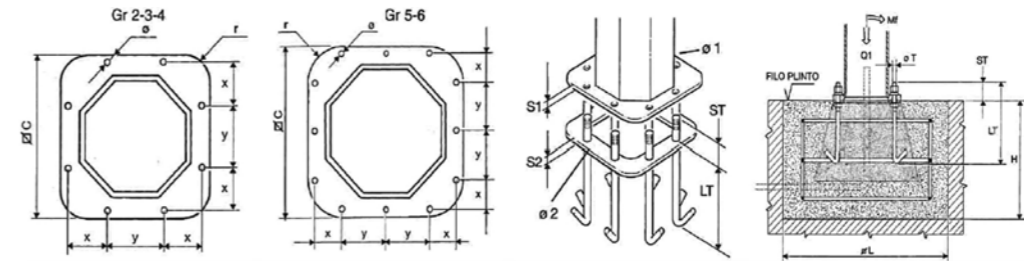
K2 = K1+(M/2)* referring to fixed mechanical limit switch
K3 = (M/2)* referring to fixed mechanical limit switch
I = (*) See commercial catalogue for DMK hoists

GBL SERIES COLUMN-MOUNTED JIB CRANE - ELECTRICALLY ROTATED AT 360° CONTINUOUSLY																			
LIFTING CAPACITY (kg)	ARM S m	SIZE OF JIB CRANE	TYPE	*UNDER BEAM h	OVERALL DIMENSIONS (mm)										ARM SPEED		WEIGHT		
					TOTAL HEIGHT H		K1	A	A1	T	L	NO. OF REVOLUTIONS /min	PERIPHERAL /min	MOTOR POWER kW	TILTING MOMENTUM kNm	MAXIMUM PULL OF THE LUG BOLT kN	JIB CRANE kg	COLUMN BY m kg	
					ELECTRICALLY	MANUALLY													
1000	4	2	2E3540	3500	4100	3847	820	550	350	300	150	0,585	14,7	0,4/0,1	63	21	1350	92,7	
	5	2	2E3550	3500	4100	3907	820	550	350	360	170	0,585	18,4	0,4/0,1	83	28	1475	92,7	
	6	2	2E3560	3500	4100	3907	820	550	350	360	170	0,585	22	0,4/0,1	103	34	1535	92,7	
	7	2	2E3570	3500	4100	3947	820	550	350	400	180	0,585	25,7	0,4/0,1	125	42	1660	92,7	
	8	2	2E3580	3500	4100	3997	820	550	350	450	190	0,585	29,4	0,4/0,1	150	50	1825	92,7	
	2000	4	2	2H3540	3500	4100	3907	820	550	350	360	170	0,585	14,7	0,4/0,1	107	36	1420	92,7
		5	2	2H3550	3500	4100	3947	820	550	350	400	180	0,585	18,4	0,4/0,1	139	46	1530	92,7
		6	3	3H3560	3500	4100	3997	950	550	400	450	190	0,585	22	0,4/0,1	173	50	1935	141,6
7		3	3H3570	3500	4100	4047	950	550	400	500	200	0,585	25,7	0,4/0,1	210	61	2113	141,6	
8		3	3H3580	3500	4100	4097	950	550	400	550	210	0,585	29,4	0,4/0,1	250	73	2335	141,6	
3200		4	2	2J3540	3500	4100	-	870	550	350	450	190	0,585	14,7	0,4/0,1	160	53	1515	92,7
		5	3	3J3550	3500	4100	-	950	550	400	500	200	0,585	18,4	0,4/0,1	208	60	1930	141,6
		6	3	3J3560	3500	4100	-	950	550	400	550	210	0,585	22	0,4/0,1	258	75	2123	141,6
	7	5	5J4070	4000	4647	-	1265	550	510	600	220	0,585	25,7	0,63/0,15	320	48	3247	183,6	
	4000	4	3	3K3540	3500	4100	-	950	550	400	450	190	0,585	14,7	0,4/0,1	198	58	1780	141,6
		5	3	3K3550	3500	4100	-	950	550	400	550	210	0,585	18,4	0,4/0,1	258	75	2017	141,6
		6	5	5K4060	4000	4647	-	1265	550	510	600	220	0,585	22	0,63/0,15	327	50	3125	183,6
		7	5	5K4070	4000	4647	-	1265	550	510	600	220	0,585	25,7	0,63/0,15	389	59	3247	183,6
5000		4	3	3L3540	3500	4100	-	950	550	400	550	210	0,585	14,7	0,4/0,1	243	71	1910	141,6
		5	5	5L4050	4000	4647	-	1265	550	510	600	220	0,585	18,4	0,63/0,15	320	49	3005	183,6
		6	5	5L4060	4000	4647	-	1265	550	510	600	220	0,585	22	0,63/0,15	393	60	3125	183,6
		7	5	5L4070	4000	4615	-	1265	550	510	490	300	0,585	25,7	0,63/0,15	474	72	3475	183,6

Attention: manually rotated jib cranes available for capacity up to 2000 Kg

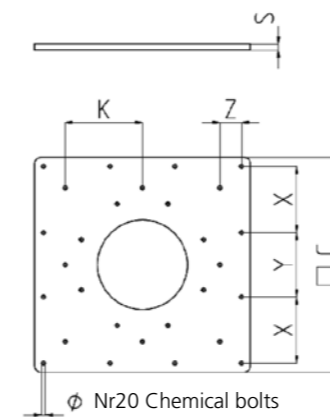
* For other standard heights see the table on page 6

BASE PLATES, FOUNDATION FRAMES AND PLINTHS FOR GBR/GBL SERIES COLUMN-MOUNTED CRANES



SIZE OF JIB CRANE	2	3	4	5	6	
∅ C	750	860	910	1100	1220	
S1	20	25	30	35	40	
S2	10	10	10	10	10	
x	199	230	241	185	215	
y	281	325	341	320	350	
∅ 1	27	33	39	39	39	
∅ 2	25	31	37	37	37	
r	150	170	180	220	240	
∅ T	M 24x3	M 30x3.5	M 36x4	M 36x4	M 36x4	
LT	600	700	800	800	800	
ST	90	105	125	130	135	
Bolt clamping torque (Nm)	350	680	1200	1200	1200	
Weight of frame with lug bolts (kg)	34.5	52.5	80	113	120	
Foundation plinth (mm) (see warnings on the previous page)	∅ L	2500	3000	3200	4000	4200
H	1150	1300	1300	1300	1300	
Max jib crane weight (kg) (without hoist and trolley)	Q1	1540/1825	2520/2335	2870	3785/3475	4180
Maximum tilting movement allowed (kNm)	Mf	179/160	270/258	335	649/474	788

COUNTERPLATES FOR FIXING TO THE FLOOR WITH CHEMICAL BOLTS OF THE GBR-GBL SIZE 2-3 COLUMN-MOUNTED CRANES



SIZE	2	3	
Counterplate code	GBR250140	GBR350140	
∅ C	1200	1400	
X	370	430	
Y	360	440	
Z	120	170	
K	430	480	
S	35	45	
∅	25	25	
Counterplate weight (kg)	340	600	
Maximum tilting movement allowed (kNm)	Mf*	200	300
Type of concrete of the floor: Minimum Fck/Rck class (N/mm ²)	C20/25	C20/25	
Type of chemical bolts (e.g.: HILTI HVU with threaded bars HILTI HAS)	M 20	M20	
Minimum thickness of floor block (mm)	220	220	
Diameter of hole in the floor (mm)	24	24	
Depth of the hole of the concrete in the floor (mm)	170	170	
Clamping torques of the bolts (Nm)	150	150	
Project resistance of traction of one bolt (kN)	74,6	74,6	

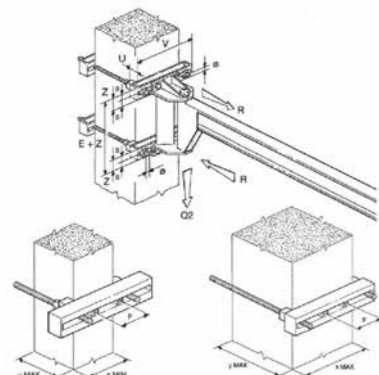
Fixing of column with chemical bolts, requires a scrupulous verification of suitability in relation to type of support flooring. The suitability checks are the responsibility of the user and must be carried out by expert, qualified technicians who will evaluate the feasibility and formally assume the relative responsibilities.

* For the clamping torques of the bolts between the column and counterplate, see the relative clamping torques for the lug bolts on page 36.

FIXING SYSTEMS FOR JIB CRANES

BRACKET AND STAYBOLTS UNIT FOR GBP/MBB/MBE SERIES WALL-MOUNTED CRANES

SIZE	A	B	C	D	E	F	
Reactions (kN)	Q2	2.95	5	9.2	16.85	26.10	28.2
	R	11.9	21.75	27.05	49	66.8	120
TYPE OF BRACKET		01	02	03			
Ø Staybolts/screws		M16	M20	M30			
Clamping torques (Nm)	Staybolts	128	250	857			
	Screws	205	400	1370			
Code		GBK010110	GBP020110	GBP030110			
Bracket Type: Short (mm)	U	50	60	80			
	V	420	490	532			
	Z	75	90	135			
Weight (kg)		21	36	75			
Pillar dimensions (mm)	x	min	200	250	300		
		max	330	400	400		
	y	max	850	810	750		
		Code		GBK010120	GBP020120	GBP030120	
Bracket Type: Medium (mm)	U	50	80	100			
	V	550	640	682			
	Z	75	120	145			
Weight (kg)		26	60	96			
Pillar dimensions (mm)	x	min	200	250	400		
		max	460	550	550		
	y	max	850	770	710		
		Code		GBK010130	GBP020130	GBP030130	
Bracket Type: Long (mm)	U	60	80	120			
	V	740	840	882			
	Z	85	120	155			
Weight (kg)		40	74	132			
Pillar dimensions (mm)	x	min	460	550	550		
		max	650	750	750		
	y	max	830	770	670		

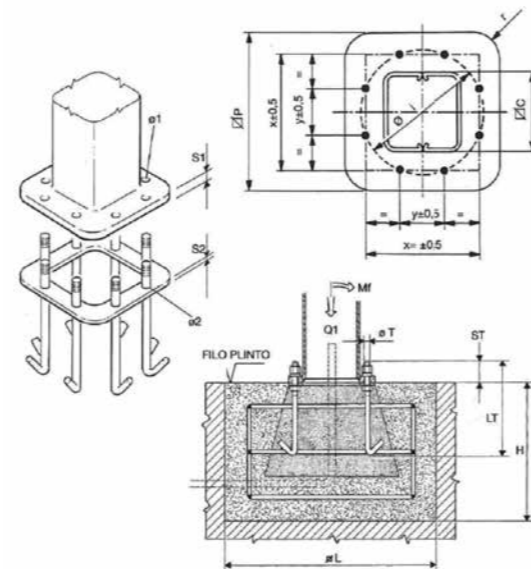


N.B.: The bracket and staybolts unit, used in the wall-mounted version for fixing the bracket to a pillar, is available on request.

BASE PLATES, FOUNDATION FRAMES AND PLINTHS FOR GBA/CBB/CBE SERIES COLUMN-MOUNTED CRANES

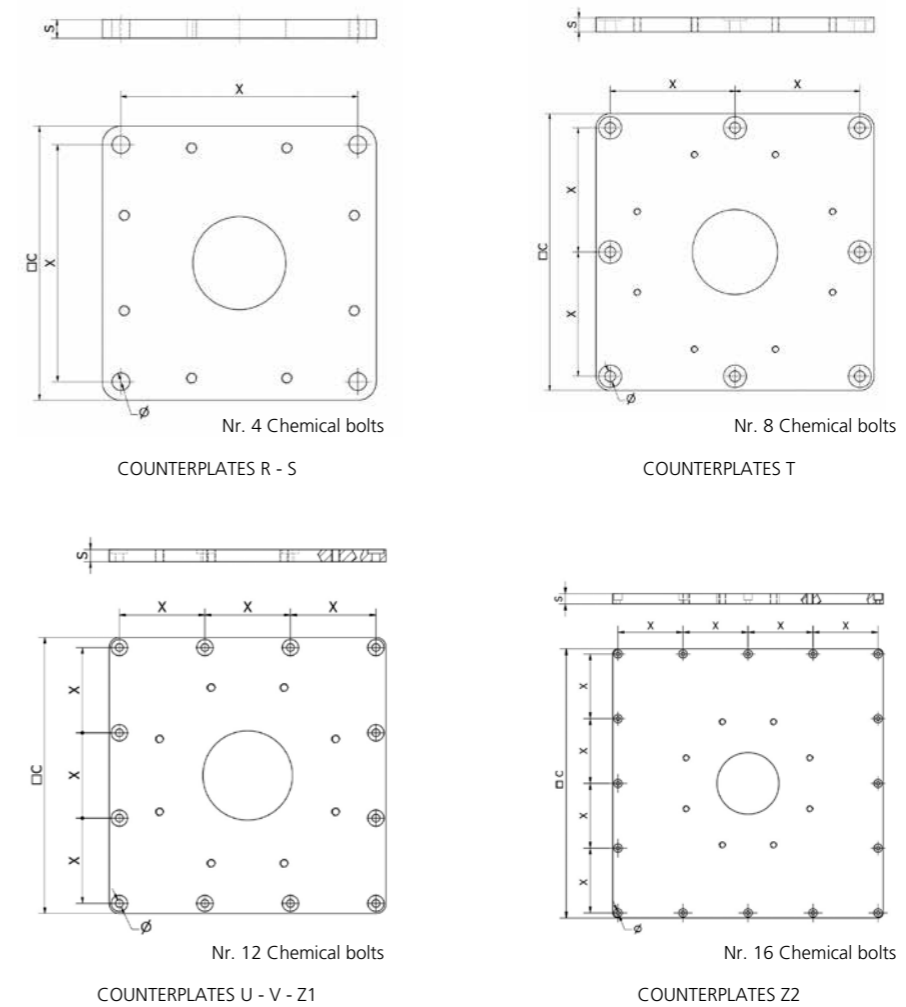
SIZE	R	S	T	U	V	Z	
Base plate and foundation (mm)	∅C	205	258	296	372	435	515
	∅P	275	340	380	475	555	660
	S1	15	15	15	20	20	25
	S2	8	8	8	8	8	8
	x	247	305	345	432	506	599
	y	103	126	143	179	210	248
	Ø	268	330	373	468	548	648
	r	88	104	116	145	165	197
	Ø1	16	20	20	25	29	35
	Ø2	13	17	17	21	25	31
Lug bolts (mm)	∅T	M12	M16	M16	M20	M24	M30
	LT	400	450	450	550	600	700
	ST	40	45	45	55	60	75
Clamping torques (Nm)		45	105	105	200	350	680
Frame/bolt weight (kg)		5	10	11	17	26	47
Foundation plinth (mm)	∅L	1200	1300	1400	1700	2000	2400
	H	800	800	900	900	1100	1100
Reaction (kN)		Q1	3.3	5.7	10.15	18.4	29.35
Momentum (kNm)		MF	12	21	31	57	107

The dimensions of the plinths are purely indicative! The plinth must be dimensioned by expert, qualified technicians considering the real consistency of the ground and the maximum pressure it can withstand.



N.B.: The foundation frames with lug bolts, used in the column-mounted version for fixing the column itself to the foundation plinth is supplied on request.
* M= 1,11; ψ= 1,15

COUNTERPLATES FOR FIXING TO THE FLOOR WITH CHEMICAL BOLTS OF THE GBA/CBB/CBE COLUMN-MOUNTED CRANES



The fixing of the column using chemical bolts, needs a scrupulous check of suitability in relation to the type of support flooring. The suitability checks are the responsibility of the user and must be carried out by expert, qualified technicians who will evaluate the feasibility and formally undertake the relative responsibilities.

SIZE	R	S	T	U	V	Z1	Z2	
Counter plate and chemical bolts code		GBA2R0KPS	GBA2S0KPS	GBA2T0KPS	GBA2U0KPS	GBA2V0KPS	GBA2Z1KPS	GBA2Z2KPS
Counterplate dimensions (mm)	∅ C	295	445	490	680	995	1130	1310
	S	20	20	25	30	40	40	50
	x	255	395	220	210	315	360	315
Nr x Ø		4x19	4x19	8x19	12x19	12x19	12x19	16x19
Counterplate weight (kg)		15	30	45	100	285	375	640
Maximum tilting movement allowed (kNm)		Mf*	11,8	20,7	31,2	56,7	107,3	164
Type of concrete of the floor: Class Fck/Rck minimum (N/mm ²)		C20/25	C20/25	C20/25	C20/25	C20/25	C20/25	C20/25
Minimum floor thickness (mm)		170	170	170	170	170	170	170
Fixing characteristics	Diameter of hole in the floor (mm)	18	18	18	18	18	18	18
	Depth of the hole in floor's concrete (mm)	135	135	135	135	135	135	135
	Clamping torque of the bolts (Nm)	60	60	60	60	60	60	60
	Dowel height from top plate surface (mm)	45	45	40	35	25	25	15

* For the clamping torques of the bolts between the column and counterplate, see the relative clamping torques for the lug bolts on page 36.